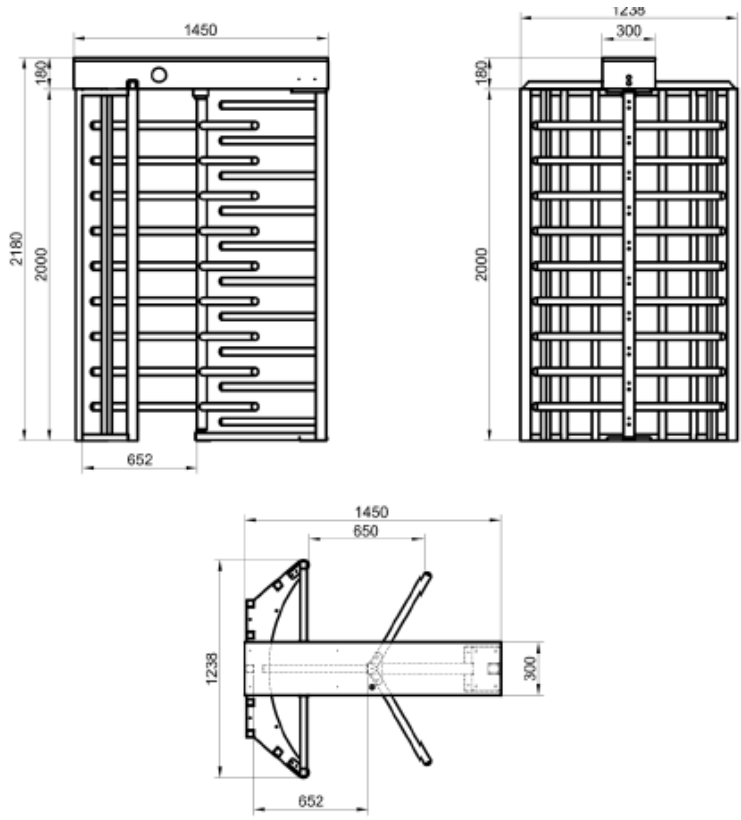
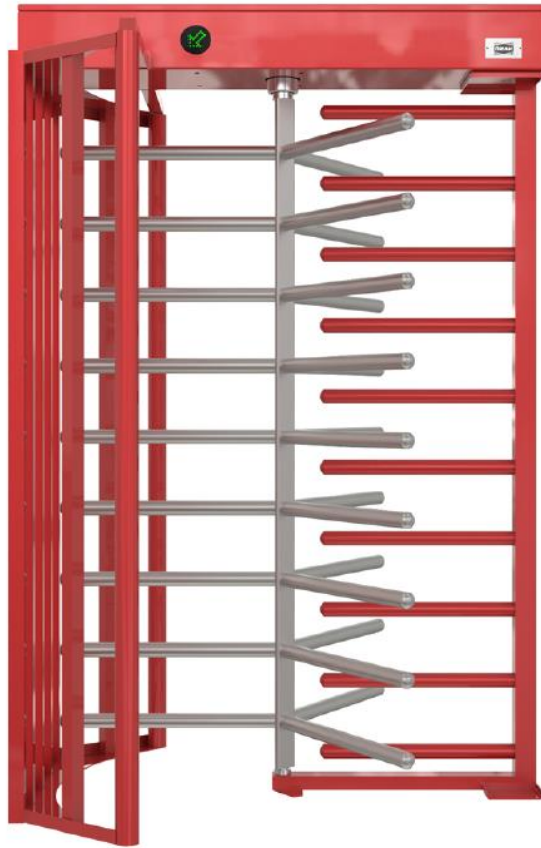
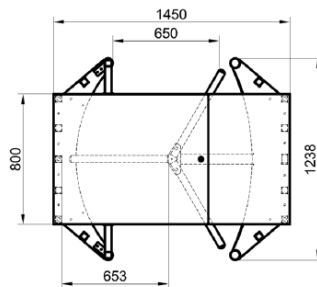
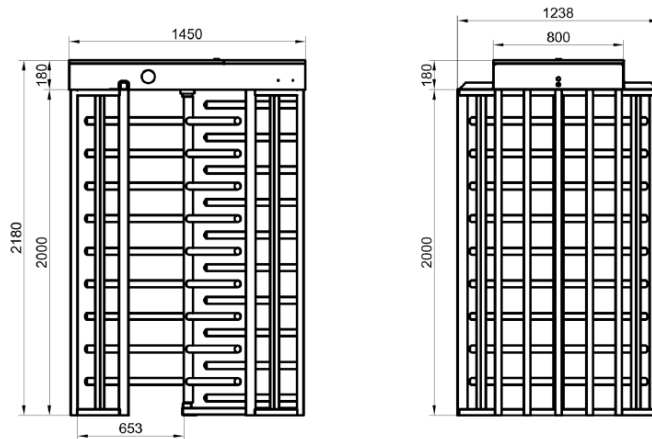
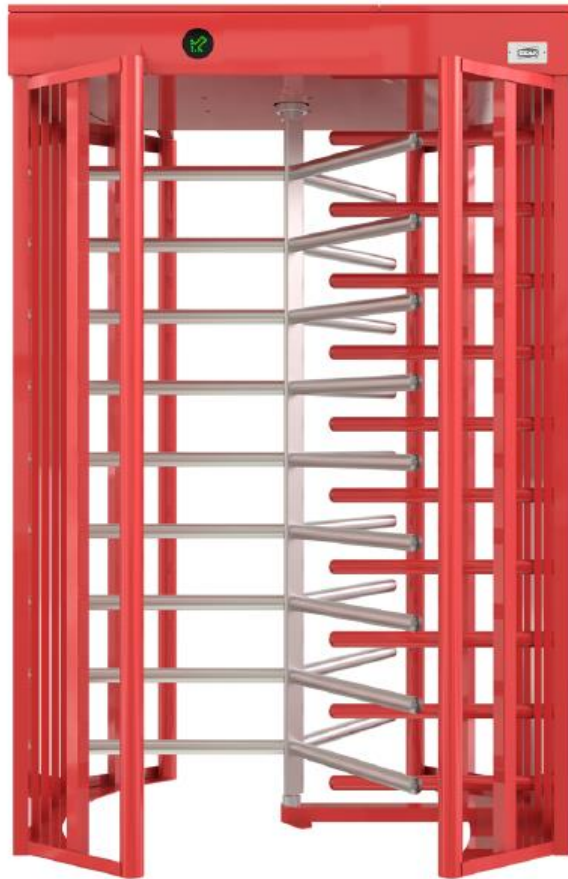


Model ST38 S



Model ST38 W S



Model ST38 W D

